

Total Solutions System **STATIONARY BATTERIES**



WINNER[®]

BATTERY
SWITCH FOR SUCCESS

OPzV STATIONARY GEL CELL

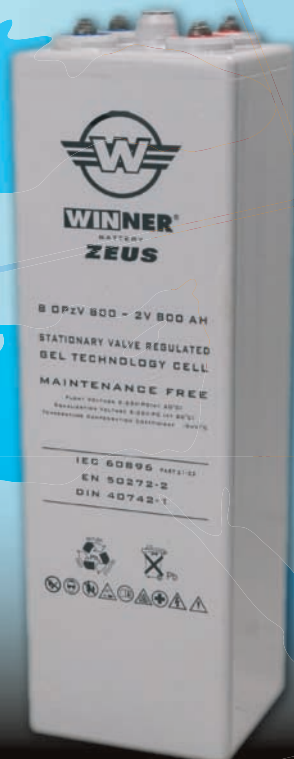
- OPzV 2Volts VRLA Heavy Duty Gel cells
- Superior low/high current discharge performance
- Better charge reception capability & high temperature performance
- More than 1.700 cycles with 50% D.O.D.
- Design floating service life of 20 years at 20°C



www.winnerbattery.net

ZEUS

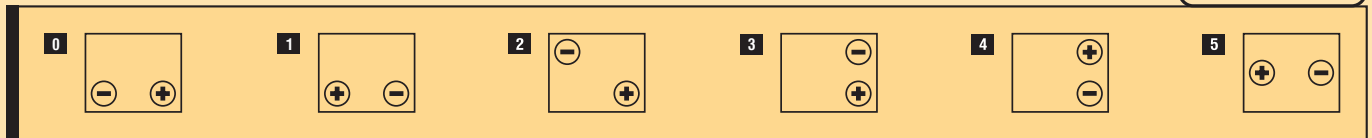
VALVE REGULATED MF SEALED LEAD ACID BATTERY



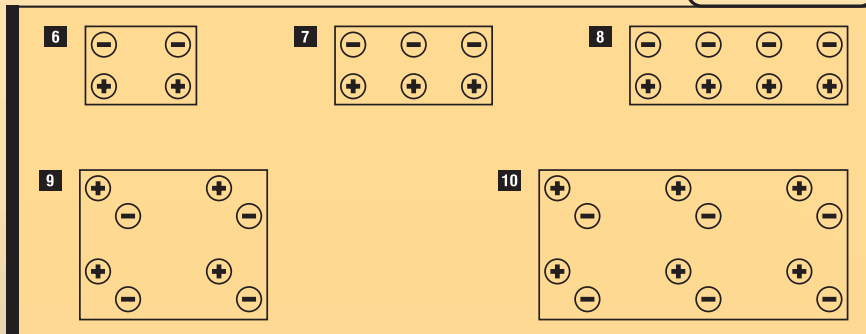
DIN Type	Voltage	Capacity	Discharge Current in 10 hours	Short Circuit Current	Plate group	Dimensions (mm)				Layout	Terminal	Weight
	V	AH C10	A	A	AH	L	W	H	T.H.			kg
3 OPzV 150	2	150	15	2530	50	103	206	353	385	5	F19	15
4 OPzV 200	2	200	20	3417	50	103	206	353	385	5	F19	18
5 OPzV 250	2	250	25	4020	50	124	206	353	385	5	F19	22
6 OPzV 300	2	300	30	4556	50	145	206	353	385	5	F19	26
5 OPzV 350	2	350	35	4879	70	124	206	470	502	5	F19	28
6 OPzV 420	2	420	42	5395	70	145	206	470	502	5	F19	34
7 OPzV 490	2	490	49	6029	70	166	206	470	502	5	F19	38
6 OPzV 600	2	600	60	6212	100	145	206	645	678	5	F19	47
8 OPzV 800	2	800	80	6833	100	191	210	645	678	6	F19	62
10 OPzV 1000	2	1000	100	7885	100	233	210	645	678	6	F19	78
12 OPzV 1200	2	1200	120	8200	100	275	210	645	678	6	F19	92
12 OPzV 1500	2	1500	150	8542	125	340	210	645	678	6	F19	114
16 OPzV 2000	2	2000	200	9318	125	399	212	772	804	7	F20	154
20 OPzV 2500	2	2500	250	10250	125	487	212	772	804	8	F20	189
24 OPzV 3000	2	3000	300	10789	125	576	212	772	804	8	F20	225

More types available on request

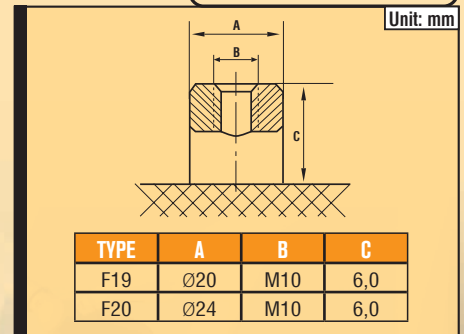
KEY FOR LAY OUT



KEY FOR LAY OUT



KEY FOR TERMINAL TYPE



APPLICATIONS

- Stand by power supply for telecommunications
- Power supply for UPS, medical and emergency lighting
- Power storage & supply for Renewable Energy / Nuclear Power stations
- Energy supply for vessels/marine signaling & navigation marking
- Traffic signaling for airports/railway stations
- Solar & wind farms back up power

STANDARDS

- DIN 40742 • IEC60896-21/22 2004 • BS EN 61427 2002
- Eurobat Guide-12 years and longer "long life"

Wherever batteries go



VIOSY S.A. • Central Office:
 17th klm N.R. Athens-Corinth, 19300, Aspropyrgos, Athens, Greece • Tel.: +30 210 3474444 • Fax: +30 210 3479931
<http://www.winnerbattery.net> • e-mail: info@winnerbattery.net • <http://www.viosy.gr> • e-mail: info@viosy.gr